



## Installing Manual

Premium EM Compact /  
Premium Tension Compact

## SCREEN'S DESCRIPTION

### GENERAL FEATURES:

Projection curtain made of PVC, without cadmium, fire proof class M1 e M2 (LNE Laboratoire national de métrologie et d'essais - SME Centre de recherches du Bouchet). Aluminium case with anti scratch paint, of white colour (other colours available on request)

## WARNING AND CAUTION

### UNPACK THE SCREEN:

Make sure that the screen has not been damaged during the transport check that all the accessories are inside the screen's packing

#### PROVISION ACCESSORIES FOR ELECTRIC SCREEN:

-screens with case: 2 mountings for ceiling and 2 for wall installation  
-screens without case: 2 side mountings  
-screens with case: screws and plastic knuckle pins to lock the mountings to the screen's case  
-screens without case: screws and knuckle pins  
-unipolar commutator 10 A, 250 V a.c., with directional arrows and central OFF position.  
-commutator box for external wall installation  
-owner manual

#### PROVISION ACCESSORIES FOR TURNSTILE SCREEN:

screens with case 2 mountings for ceiling and 2 for wall installation  
1. screens with case: screws and plastic knuckle pins to lock the mountings to the screen's case  
articulated joint rod  
owner manual

1 the number of mountings is two for the screen sizes until 300x225 cm and three for bigger sizes .

### INSTALLATION:

The screen must be installed using screws and anchors suitable for the type of wall or ceiling onto which the brackets have to be fitted.

**IMPORTANT !!! AFTER FITTING THE SCREEN ON THE BRACKETS, IT IS MOST IMPORTANT TO MAKE SURE THE SCREEN IS PERFECTLY HORIZONTAL BEFORE USING.**

### EMPLOYMENT

It is suggested to use the screens in indoor rooms with normal condition of temperature (20-25°C) and humidity. The exposition to a temperature of more than 50°C could create permanent damages to the planarity of the projection curtain, or the fall of it from the roller. Do not leave for long time the screen curtain exposed to the sun light to prevent the yellowing of it (check that also as a cause of the exposition at the sun light, the screen does not reach the level of temperature above mentioned)

Because the material of which the projection curtain is made of (PVC) has the tendency of electrostatics loading, the excessive presence of dust in the projection room could create the degrade of the optics qualities of the curtain caused from the deposit of the dust.

Do not force the cloth to come out by hand because this could cause damage to the motor or the detachment of the box containing the attachment brackets .

It is forbidden to block, impede or force the movement of the screen by grabbing on to it or swinging on it, adding or applying any object to the fabric or backdrop or modifying the structure of the screen since it could damage the winding system with consequent property damage and injury to persons .

*If you do not follow the instructions above mentioned, damages caused to the screen are not covered from warranty*

The producer is not responsible for damage to things or persons caused from mistakes in installing or using the products..

## CLEANING

**CASE:** for cleaning the case you can use a soft cloth with eventually a non aggressive detergent.

**PROJECTION CURTAIN:** use a humid soft cloth with eventually a neutral detergent. After the cleaning it could happen that the curtain loads electrostatics , caused from the rubbing with the cloth, it is suggested to clean the curtain with a liquid products that avoid the settling of the dust.

## INSTRUCTIONS FOR THE INSTALLATION

The installation is the same for all kind of screens, and it is different only for the presence of the case or not. For the case screen's , depending on the size, two kind of cases are used as indicated in table below. The screens without case are formed from a roller around which there is the projection curtain rolled up, and two mountings which are needed to mount the screen on the wall or on the ceiling.

### INSTALLATION OF THE SCREENS WITH CASE: (Fig. 2 and 3)

The installation could be made on the wall or on the ceiling as showed in the Fig. 2 and Fig. 3 following

#### WALL INSTALLATION:

insert the screw 4 into the plate 1 and screw down a little bit the nut 3 leaving 4-5 mm of slack; hook the plate to the case and fix it trough the plastic knuckle pins 2. As shown in the figures the fixing side with the pins of the plate has to be turned to the back side of the case so the mountings are not visible, giving so a good appearance to the installed screen. we have to underline that only for installation purposes it is the same if you mount the plate in one side or in the other because the hook's profiles of the case are perfectly symmetrical. Fix the mountings 5 with expansion dowel which has to be suitable to the type of wall (minimum Ø 8 mm) and fix the plate 1 with mountings 5 by using ring 7 and thumb nut 3.

**CEILING INSTALLATION:** insert the screw 4 into the plate 1 and screw down a little bit the thumb nut 3 leaving 4-5 mm of slack; hook the plate to the case and fix it trough the plastic knuckle pins 2. Fix the mountings on the ceiling 6, included in the screen package, with expansion dowel which has to be suitable to the type of wall (minimum Ø 8 mm), at a distance of 10 - 15 cm from the ends of the case. For the screens with a width of more than 350 cm the third mountings has to be fixed on the centre of the case. Make the plates run 1 in the profile and positioned them in connection with the L fluting of the mountings 6, Take care of the operation is made until the bottom of the L fitment and then tight the nut on the mounting (the nut is made with a tightness knurling). fix the plate 1 with mountings 6 by using ring 7 and thumb nut 3.

#### CEILING INSTALLATION DIRECTLY WITH THE FIXING PLATE:

It is possible to install the screen on the ceiling directly with the fixing plate. If you wish the case more close to the ceiling (attention: to make easily this operation it is required a very good planarity of the ceiling and a perfect alignment of the plates ) fix the plates with expansion dowel which has to be suitable to the type of wall (minimum Ø 8 mm), at a distance of 10 - 15 cm from the ends of the case. For this kind of installation the side of the plate for the fixing pins has to be on the forward side of the screen so it will be easier to insert the knuckle. Check the alignment of the plates . For this purpose you will need shims as the metal insert included in the package. Pay attention that from the care of this operation depends the easier way of the following fixing of the case to the plate. For the screens with a size bigger than 350cm the third plate has to be installed in the centre of the case. Insert the case in the plates with a rotatory movement (snap insert) and run the plastic knuckles that assure the fixing of the case.

### INSTALATION OF THE SCREENS WITHOUT CASE: (Fig. 6)

1 fix with suitable expansion dowel (minimum Ø 8 mm), the opposite mountings 8 (ceiling or wall);  
2 lean temporarily the screen on the opposite mounting and sign the position of the motor side mounting, checking the alignment of all; 3 fix with suitable expansion dowel (minimum Ø 8 mm), the motor side mounting 9 (ceiling or wall);  
4 insert the fluting of the round pin in the suitable site of the opposite mounting and then close the site with the copiglia inserted in the package of the screen; 5 fix the head of the motor with the right screws to the mounting on the motor side.

### INSTALLATION SCREEN WITH SYSTEM EXPRESS: (Fig. 7)

1 fix with suitable expansion dowel (minimum Ø 8 mm), the opposite mountings 8 (is possible the wall or ceiling installing) controlling their levelling;  
2) to fix the screen to the stirrups following the fig.7;

## MOTORISED SCREENS (Fig. 4)

### FEATURES:

The motor is realized with a tubular asynchronous monophasic runner with the following features :230V, 50 Hz, 90 W, 17 revolutions per minute.

The motor of the screens with case is located in the right side of the screen (on request it is possible to have it on the left) if the screen is without case the motor is located on the left. It works through a commutator supplied from the producer or through an optional remote control.

### ELECTRIC CONNECTIONS:

The electric cabling must respect the CEE regulations . According to the CEI 335-1 norm, you have to install an upstream omnipolar switchgear with a minimum contacts opening spacing of 3 mm.

Use for driving the screen only the commutator supplied from the producer, or an equivalent model following the instructions of Fig. 4 (if the motor is mounted on the left the colours of the threads must be inverted, descent =brown, ascent = black).

**WARNING:** do not never connect two or more motors to the same commutator without a group remote, or two commutator to the same motor.

#### TROUBLESHOOTING OF THE MOTORISED SYSTEM:

- 1) Check the power supply 230 V on the control commutator.
- 2) Check the connections between the control commutator and the motor.
- 3) Check that the motor is not in the phase of thermal protection (wait few minutes to cool the motor).
- 4) Check that the wire between the motor and the inverter is not cut.

### RADIO INTEGRATED MOTORIZED SCREENS (Fig. 5)

#### FEATURES:

The motor is realized with a tubular asynchronous monophasic runner with the following features :230V, 50 Hz, 90 W, 17 revolutions per minute.

The motor of the screens with case is located in the right side of the screen (on request it is possible to have it on the left) if the screen is without case the motor is located on the left. It works through a radio remote control supplied from the producer.

#### ELECTRIC CONNECTIONS:

The electric cabling must respect the CEE regulations . According to the CEI 335-1 norm, you have to install an upstream omni polar switchgear with a minimum contacts opening spacing of 3 mm. Please follow the instruction on the connection scheme see FIG 5.

#### MEMORISING THE "FIRST" TRANSMITTER ON SCREEN

Caution! - DO NOT follow this procedure if Transmitters have already been memorized on screen.

01. Turn on the power to screen: the motor makes 2 LONG motions (= no transmitters memorized).

02. (Within the next 5 seconds ) Press and hold down key on the transmitter for about 3 seconds and release it as soon as the motor start the first of 3 LONG motions (= memorization complete).

Caution! - Once this part of programming has been completed, the Up and Down movements of the motor are still not associated to keys and on the Transmitter. This will take place automatically during one of the three programming procedures of limit switches " 0" and " 1" .

#### PROGRAMMING OF LIMIT SWITCH POSITIONS upper " 0" and lower " 1"

01. Press and hold down key (or ) on the transmitter until the roller shutter/awning reaches the "0" position required by the user; then release the key.

ATTENTION!! the correct "0" position is when the low bar of the screen is positioned at 2 mm from the case.

02. Press and hold down key until the motor performs 1 VIBRATION; then release the key.

03. Press and hold down key again (for approx. 5 seconds ), until the motor performs 4 SHORT motions ; then release the key.

04. Press and hold down key until the motor performs 2 LONG motions (= the "0" position is memorized); then release the key.

05. Press and hold down key (or ) until the roller shutter/awning reaches the position "1" required by the user; then release the key.

06. Press and hold down key until the motor performs 1 VIBRATION; then release the key.

07. Press and hold down key again (for approx. 5 seconds ), until the motor performs 4 SHORT motions ; then release the key.

08. Press and hold down key until the motor performs 2 LONG motions (=position "1" is memorized); then release the key.

Note - Once this programming procedure is complete, key on the Transmitter will control the Up manoeuvre of the roller shutter/awning, while key will control the Down manoeuvre. The roller shutter/awning will stop at programmed positions "0" and "1" during each of these manoeuvres .

#### REPOSITIONING OF LIMIT SWITCH lower " 1"

01. Press and hold down key (for approx. 5 seconds ), until the motor performs 1 VIBRATION, then release the key.

02. Press and hold down keys and simultaneously (for approx. 5 seconds ), until the motor starts to automatically move the roller shutter / awning into position "1", then release the keys .

03. (within the next 4 seconds ) Press keys and to position the roller shutter/awning in the new position "1".

04. (within the next 4 seconds ) Press and hold down keys and simultaneously until the motor performs 2 LONG motions (= new position "1" memorized), then release the keys.

#### DELETING TRANSMITTERS FROM THE MEMORY

Caution! - This procedure deletes all memorized transmitter codes from screen memory. The procedure can be performed both with a memorized transmitter as well as a non memorized transmitter.

If the transmitter is memorized, proceed as follows :

01. Press and hold down key (for approx. 5 seconds ), until the motor performs 1 VIBRATION; then release the key.

02. Press and hold down key until the motor performs 3 LONG motions ; then release the key exactly on the third movement.

03. Press and hold down key until the motor performs 3 LONG motions ; then release the key exactly on the third movement.

04. Press and hold down key until the motor performs 3 LONG motions ; then release the key exactly on the third movement. After

a few seconds the motor performs 5 LONG motions (= all transmitters deleted).

If the Transmitter is not memorized, proceed as follows :

A. Disconnect from power supply (if connected) and connect again the tubular motor to the power supply. Within the next 60 seconds , press and hold down key (for approx. 5 seconds ), until the motor performs 1 VIBRATION; then release the key.

B. (within the next 5 seconds ) Disconnect from the power supply.

C. Power the motor again: the previous procedure, from point 01 to point 04, must be performed within 60 seconds from turning on the power supply.

#### TROUBLESHOOTING OF THE MOTORISED SYSTEM:

- 1) Check the power supply 230 V.
- 2) Check that the motor is not in the phase of thermal protection (wait few minutes to cool the motor).
- 3) Check that the wire between the motor and the power supply is not cut.

#### ATTENTION

the installation of the screen, the electric connections, the setting of the limit switches and the test of malfunctions of the motorized rolling up and down, must be made from authorized staff only. It is not possible to change the connection cable. If the cable is damaged the screen must be changed.

The warranty is not valid in case of wrong installation, tampering or repair by technicians not authorized or tampering of the seal of limit switches.

If necessary, for further information over these points contact our technical office.

### WARRANTY ON SCREENS

Screens are covered by a 24 month guarantee for projection curtains, mechanical and structural parts, motors installed on single products.

The guarantee's validity starts from the date of purchase on the part of the end user; such purchase date must be documented by a purchase receipt when requesting technical interventions or replacement.

The guarantee covers damages and malfunctions resulting from normal use of the products, and replacement free of charge of components with manufacturing flaws; the service includes collection/delivery by a contracting courier at the manufacturer's expense (only for Italy and Poland guarantees).

The guarantee is forfeited in case of incorrect use or installation, tampering or repair on the part of personnel not authorised by manufacturer or tampering with the seal for end stop adjustment, which can only be carried out by technicians or specialised personnel. The guarantee does not cover damages resulting from normal wear and tear or from particular weather or environmental conditions. Damages to goods during transport or handling operations are not covered by guarantee.

Goods must therefore be checked carefully upon receipt.

Screens returned for repair will not be accepted unless they are accompanied by the manufacturer's RMA (return material authorisation) and adequately packed.

Manufacturer reserves the right to verify the existence of the requisites for the validity of the guarantee.

Fig. 4

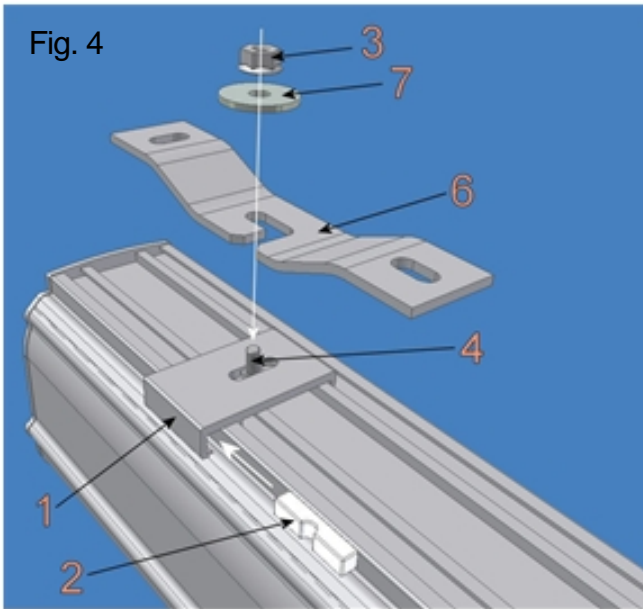


Fig. 3

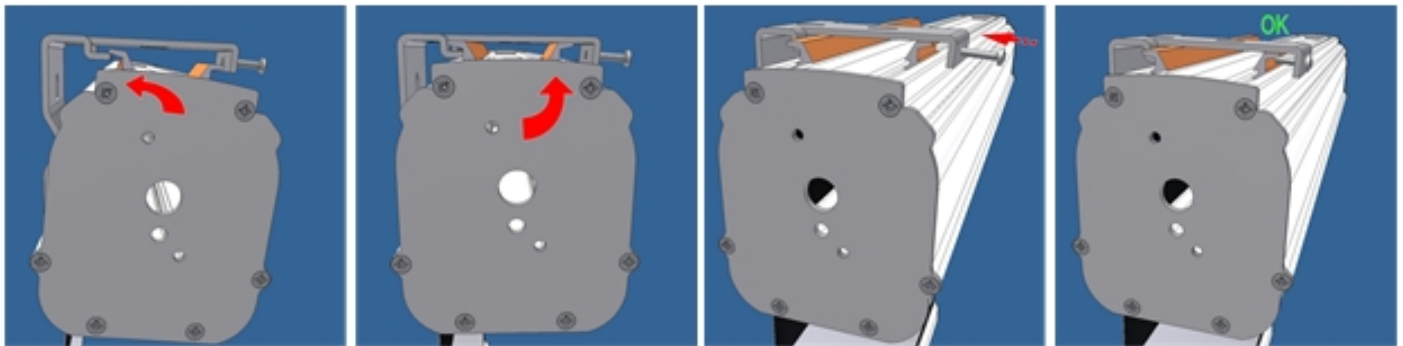
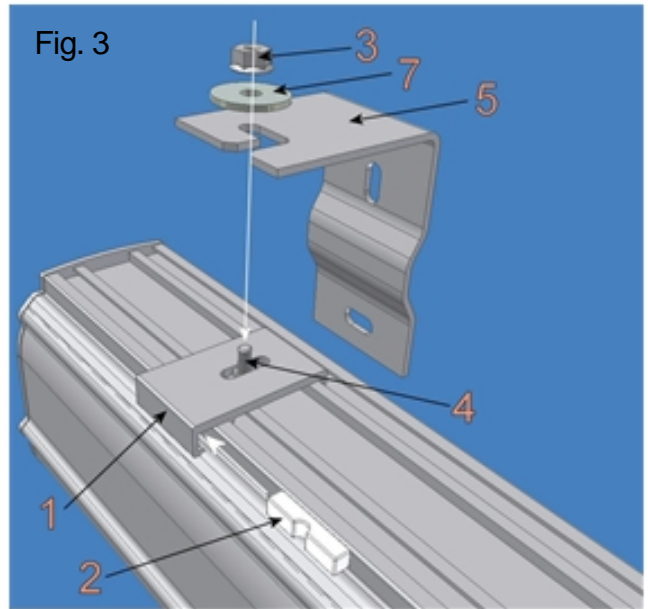


Fig. 7



Linea  
Power supply  
Alimentation  
Versorgung  
Alimentaci3n  
Źródło zasilania  
230V 50 Hz

L  
N  
T



Marrone SALITA  
Brown UP  
Marron MCINTELL  
Braun ALPHEARTS  
Marron SUBIDA  
Brdpiony GORA  
  
Nero DISCITSA  
Black DOWN  
Ner0 DISCINTE  
Schwarz ALPHARTS  
Najr0 SUBIDA  
Czarny DÓC.  
  
Blau GOLFINE  
Blau COMMON  
Blau COMMON  
Azul COMMON  
Nietrask VÍSPÓKNY  
  
Giallo Verde TERRA  
Yellow Green EARTH  
Jaune Vert TERRE  
Gelb Grün ERDE  
Anz0lko Verde TERRA  
Źółto-Zielony LŐVŐMÉNE

Schermo  
Motorizzato  
  
Motorized  
Screen  
  
Ecrans  
Motoris0'  
  
Elektrischer  
Leinwand  
  
Pantallas  
Motorizada  
  
Ekran z napędem  
elektrycznym

Fig. 4



Linea  
Power supply  
Alimentation  
Versorgung  
Alimentaci3n  
Źródło zasilania  
230V 50 Hz

L  
N  
T

Marrone FASE  
Brown PHASE  
Marron PHASE  
Braun PHASE  
Marron FASE  
Brdpiony FAZA  
  
Blau NEUTRO  
Blau NEUTRAL  
Blau NEUTRE  
Blau NEUTRUM  
Azul NEUTRO  
Nietrask NEUTRALNY  
  
Giallo Verde TERRA  
Yellow Green EARTH  
Jaune Vert TERRE  
Gelb Grün ERDE  
Anz0lko Verde TERRA  
Źółto-Zielony LŐVŐMÉNE

Schermo  
R.L. Motorizzato  
  
R.L. Motorized  
Screen  
  
Ecrans  
R.L. Motoris0'  
  
R.L. Elektrischer  
Leinwand  
  
Pantallas  
R.L. Motorizada  
  
Ekran z napędem  
elektrycznym  
zdalnie sterowany

Fig. 5



Fig. 6

